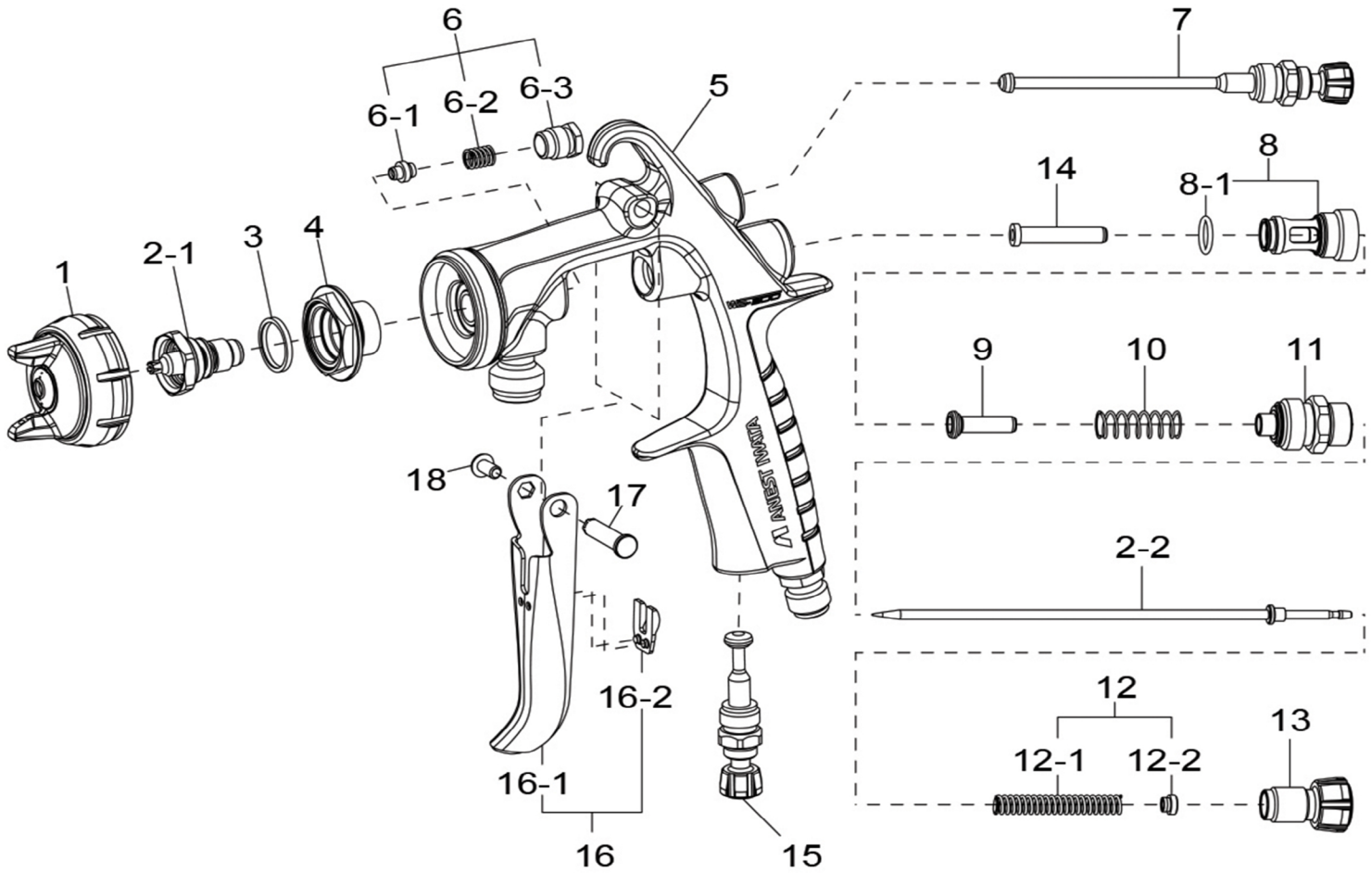




ANEST IWATA

WS200SP



*To disassemble Air valve seat ref. 8, use 10 mm Allen wrench (Non ball point type). (not enclosed)

**To disassemble Hexagon socket button bolt ref. 18, use 2.5 mm Allen wrench. (not enclosed)

REF#	PART #	DESCRIPTION	REMARKS
1	93001300	WS-200SP-01	SPLIT PATTERN
2	93002050	NOZZLE/NEEDLE SET 0.8SP	SPLIT PATTERN
2	93001990	NOZZLE/NEEDLE SET 1.0SP	SPLIT PATTERN
2	93001340	NOZZLE/NEEDLE SET 1.2SP	SPLIT PATTERN
2-1	SET ONLY	NOZZLE	
2-2	SET ONLY	NEEDLE	WS20012H
3	93001550	BAFFLE RING PACKING	
4	93001500	BAFFLE RING	
6	93001410	NEEDLE PACKING SET	
6-1	93001420	NEEDLE PACKING	
6-2	93001430	NEEDLE PACKING SPRING	
6-3	93001450	NEEDLE PACKING NUT	
7	93001560	PATTERN ADJUSTMENT SET	
8	93001640	*AIR VALVE SEAT SET	
8-1	93001680	O RING	

REF#	PART #	DESCRIPTION
9	93001690	AIR VALVE
10	93001700	AIR VALVE SPRING
11	93001710	FLUID ADJUSTMENT GUIDE SET
12	93002820	NEEDLE SPRING SET
12-1	93593530	NEEDLE SPRING
12-2	93001760	NEEDLE SPRING PACKING
13	93001780	FLUID ADJUSTMENT KNOB
14	93001790	AIR VALVE SHAFT
15	93001800	AIR ADJUSTMENT SET
16	93001820	TRIGGER SET
16-1	93001850	TRIGGER
16-2	93001860	TRIGGER PLATE
17	93001870	TRIGGER STUD
18	93001960	**HEX. SOCKET BUTTON BOLT