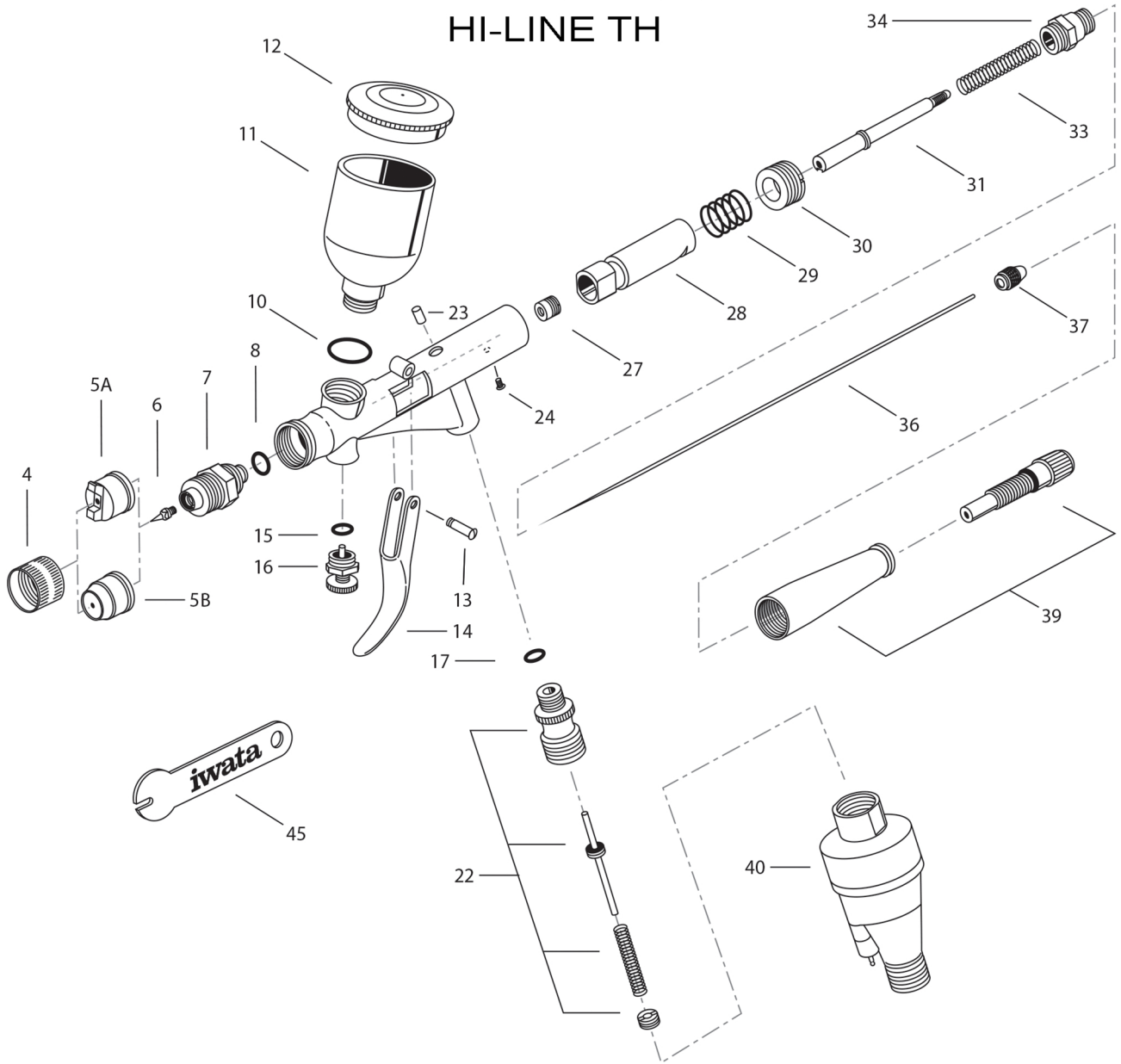




HI-LINE TH



#	ITEM DESCRIPTION	ITEM #	K 9200	ALSO FITS
4	Cover Ring	AI1107	■	
5A	Air Cap (Fan Pattern)	AI1105	■	
5B	Air Cap (Round Pattern)	AI1106	■	
6	Fluid Nozzle 0.50 mm	AI0811	■	
7	Head Base	AI0821	■	
8	Packing Head Base	AI0831	■	
10	Packing Center Cup	AI1507	■	TR
11	Center Cup	AI0708	■	
12	Cup Lid	AI7182	■	
13	Trigger Screw	AI7142	■	TR
14	Trigger	AI7141	■	TR
15	Packing MAC Valve	4297	■	CM, CH
16	Micro Air Control Valve	4296	■	CM, CH
17	Packing Air Valve	4034	■	TR, CH
22	Air Valve Set	AI7121	■	TR

#	ITEM DESCRIPTION	ITEM #	K 9200	ALSO FITS
23	Valve Rod	AI7131	■	
24	Main Body Ring Screw	AI7312	■	TR
27	Needle Packing Set	AI1258	■	
28	Slide Cam	AI7301	■	TR
29	Slide Cam Spring	AI7302	■	TR
30	Main Body Ring	AI7311	■	TR
31	Needle Chucking Guide	AI7152	■	TR
33	Spring	AI7703	■	TR
34	Spring Guide	AI1707	■	TR
36	Fluid Needle 0.50 mm	AI0757	■	
37	Needle Chucking Nut	4037	■	TR, CM, CH, CS
39	Pre-Set Handle	AI1559	■	
40	Pistol-Grip Filter	FA450	■	ALL
45	Spanner Wrench	4103	■	

CA PROP 65 CALIFORNIA PROP 65 WARNING: Certain products identified with this symbol and offered for sale in this catalog contain lead, a chemical known to the State of California to cause cancer, birth defects and other reproductive harm.

■ = yes X = no opt = optional