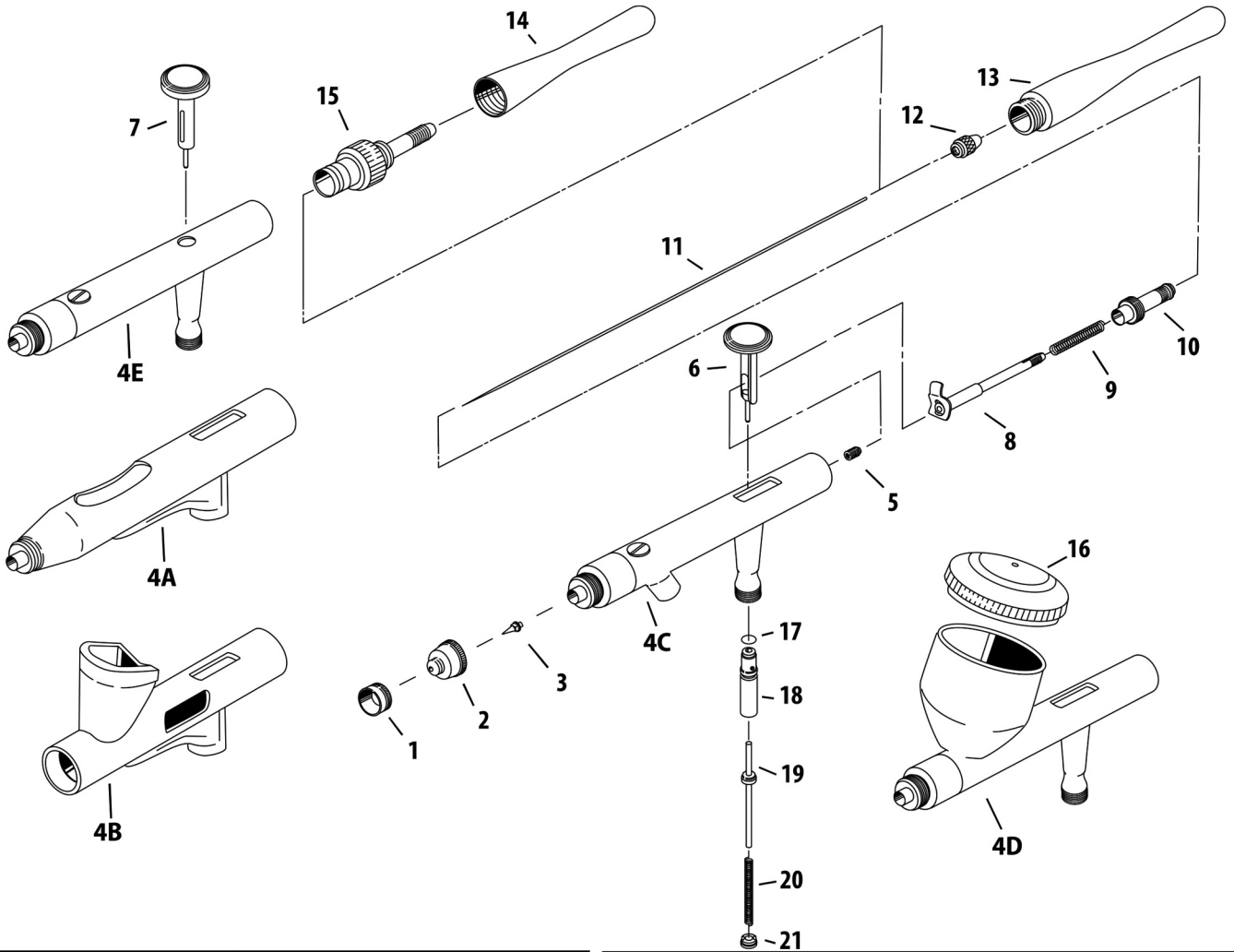




## REVOLUTION SERIES



#	ITEM DESCRIPTION	ITEM #	HP-AR	HP-BR	HP-BCR	HP-CR	HP-SAR
1	Head Needle Cap	R5 4184	OPT	OPT	■	■	■
		R3 A 17012	■	■	OPT	OPT	OPT
2	Head Nozzle Cap	R5 A17021	OPT	OPT	■	■	■
		R3 A17022	■	■	OPT	OPT	OPT
3	Head Nozzle	R5 4244	OPT	OPT	■	■	■
		R3 A17042	■	■	OPT	OPT	OPT
4A	HP-AR Body*	-	■	x	x	x	x
4B	HP-BR Body*	-	x	■	x	x	x
4C	HP-BCR Body*	-	x	x	■	x	x
4D	HP-CR Body*	-	x	x	x	■	x
4E	HP-SAR Body*	-	x	x	x	x	■
5	Needle Packing Screw Set (PTFE)	R5 A17251	OPT	OPT	■	■	■
		R3 A11257	■	■	OPT	OPT	OPT
6	Main Lever	4119	■	■	■	■	x
7	Main Lever	A16122	x	x	x	x	■
8	Needle Chucking Guide w/Aux Lever	A11157	■	■	■	■	x

#	ITEM DESCRIPTION	ITEM #	HP-AR	HP-BR	HP-BCR	HP-CR	HP-SAR
9	Needle Spring	4071	■	■	■	■	x
10	Spring Guide	A17701	■	■	■	■	x
11	Head Needle	R5 4245	OPT	OPT	■	■	■
		R3 A17173	■	■	OPT	OPT	OPT
12	Needle Chucking Nut	4027	■	■	■	■	■
13	Ergonomic Handle	A17191	OPT	OPT	OPT	OPT	x
	Preset Handle	4105	OPT	OPT	OPT	OPT	x
	Preset Cutaway Handle	4289	OPT	OPT	OPT	OPT	x
14	Ergonomic Handle	4323	x	x	x	x	■
15	Fluid Adjustment Knob	A17221	x	x	x	x	■
16	Lid	A17181	x	x	x	■	x
17	Air Valve O-ring	4115	■	■	■	■	■
18	Valve Guide Body	4116	■	■	■	■	■
19	Air Valve	4117	■	■	■	■	■
20	Air Valve Spring	4036	■	■	■	■	■
21	Air Valve Guide Screw	A17111	■	■	■	■	■
	Spanner (Wrench)	A17651	■	■	■	■	■

**CA PROP 65 CALIFORNIA PROP 65 WARNING:** Certain products identified with this symbol and offered for sale in this catalog contain lead, a chemical known to the State of California to cause cancer, birth defects and other reproductive harm.

■ = yes X = no opt = optional  
\*Replacement parts not available.